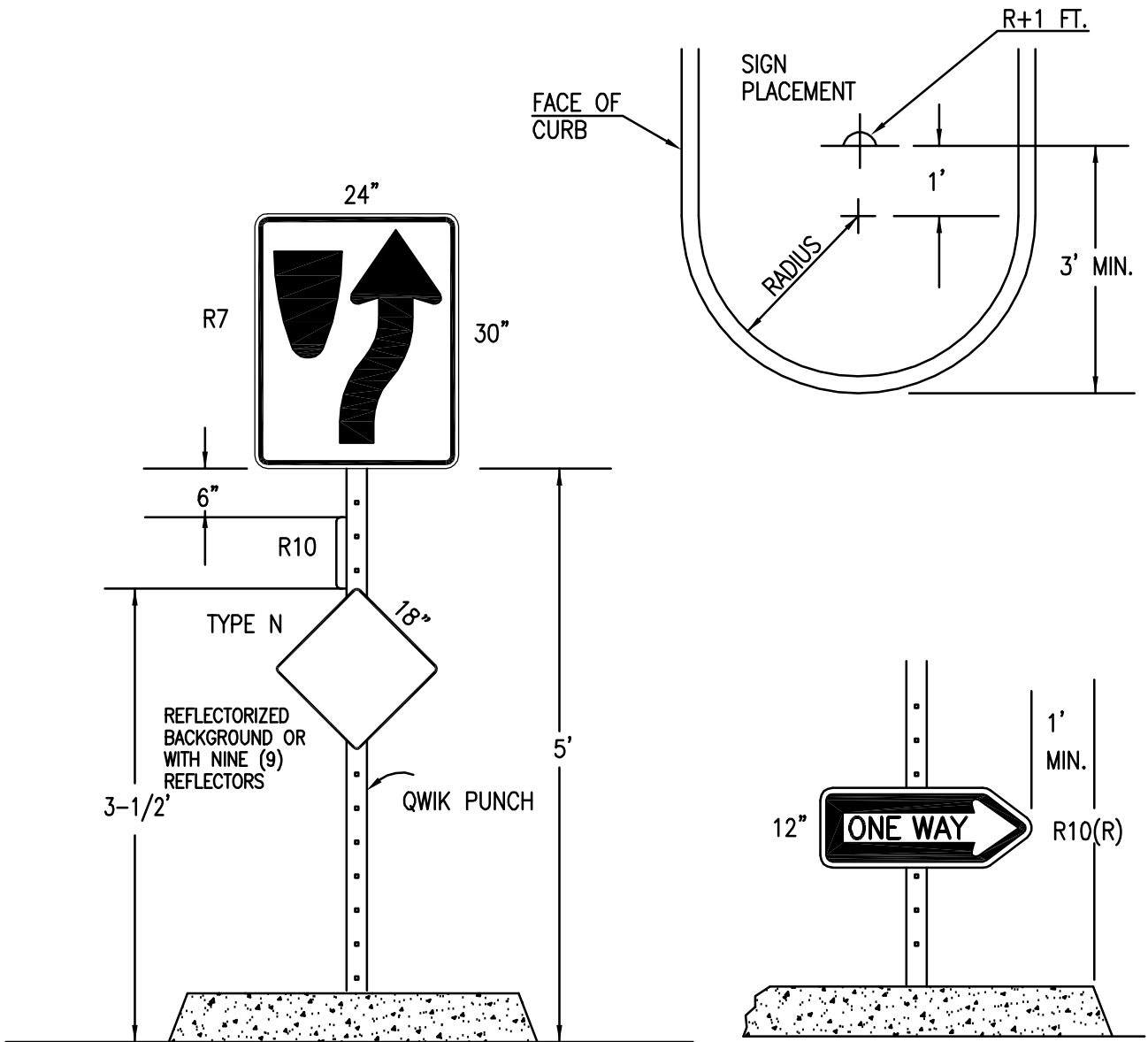


* NOTE:
 IF THE RADIUS OF THE MEDIAN NOSE IS 2' OR LESS, PLACE THE SIGN 3' FROM END OF MEDIAN NOSE.



NOTE:
 POST INSTALLATION SHALL BE IN ACCORDANCE WITH STANDARD DRAWING NO. 301

DATE: SEPT. 2001
 Signature on File
 CITY ENGINEER

TYPICAL MEDIAN NOSE
 SIGN INSTALLATION
 DEPARTMENT OF PUBLIC WORKS CITY OF PALM DESERT

SCALE: NONE
 STD DRAWING NO.
 201