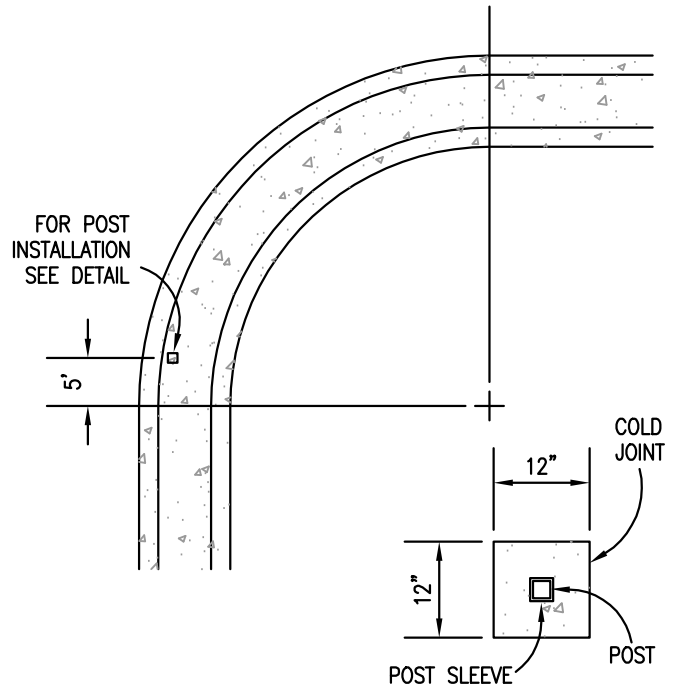
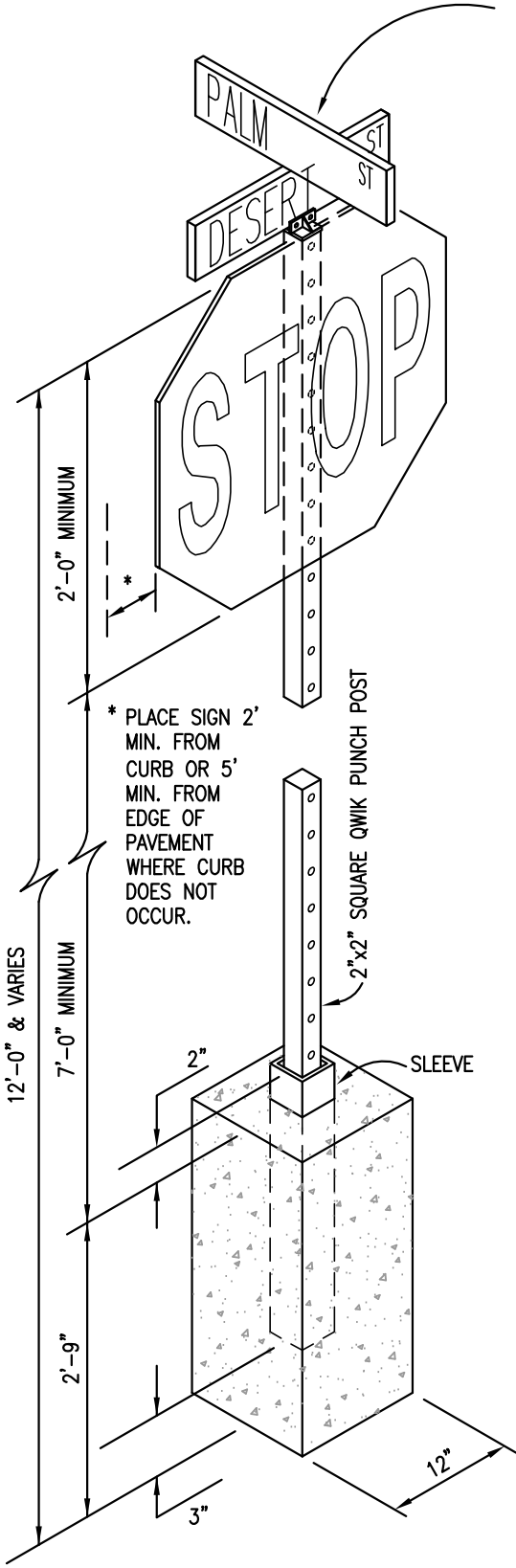


DOUBLE FACED SIGNS FOR EACH STREET NAME PER C.P.D. STD. 301A.
VANDEL-PROOF HARDWARE FOR FASTENING AS APPROVED BY THE CITY
ENGINEER.



DETAIL
N.T.S.

TYPICAL PLACEMENT

STREETS WIDER THAN 64 FEET
(SECONDARY AND ABOVE), SHALL HAVE
STREET NAME SIGNS INSTALLED ON THE
NEAR SIDE CORNERS FOR EACH DIRECTION
OF TRAVEL.

NOTE:
ALL SIGN POSTS TO BE INSTALLED IN
560-C-2800 CONCRETE

DATE: SEPT, 2001
Signature on File
CITY ENGINEER

STREET NAME SIGN INSTALLATION
DEPARTMENT OF PUBLIC WORKS
CITY OF PALM DESERT

SCALE: NONE
STD DRAWING NO.
301