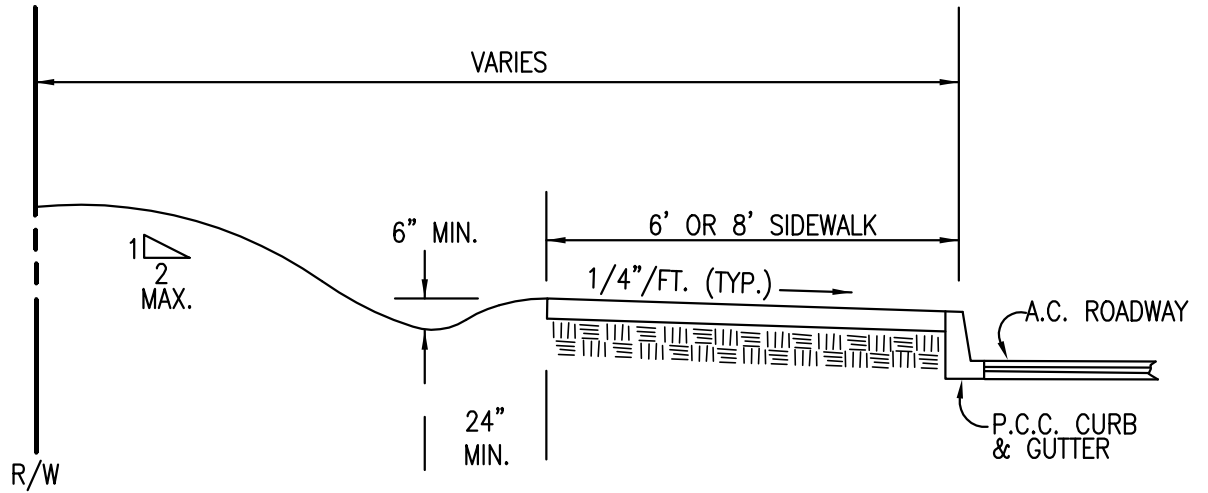
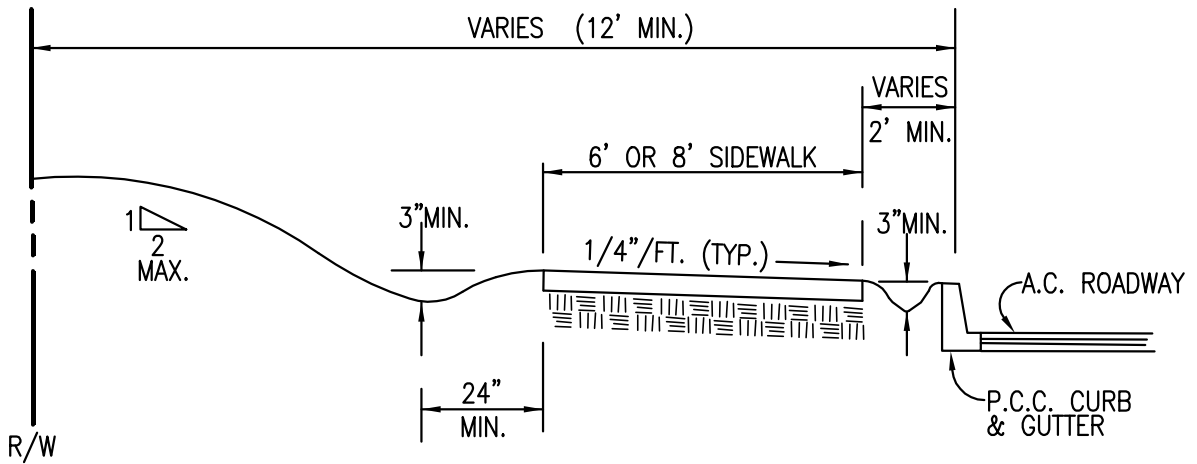


CASE 1 - CURBSIDE SIDEWALK - PARKWAY



CASE II - MEANDERING SIDEWALK - PARKWAY



DATE: SEPT. 2001

Signature on File
CITY ENGINEER

**PARKWAY/MEDIAN ISLAND
LANDSCAPE MOUNDING**

DEPARTMENT OF PUBLIC WORKS CITY OF PALM DESERT

SCALE: NONE

STD DRAWING NO.
310-1